

平板式上部卸料离心机

Vertical Top Discharge Centrifuges



PSD/PQFD平板式吊袋卸料离心机



PSD常规型



PSD在线清洗型



PQFD洁净型吊袋卸料离心机

PSB/PQFB平板式上部卸料离心机



PSB型



PSB衬PE型



PQFB洁净型上部卸料离心机



低温浸泡型



低温浸泡型（直联式）

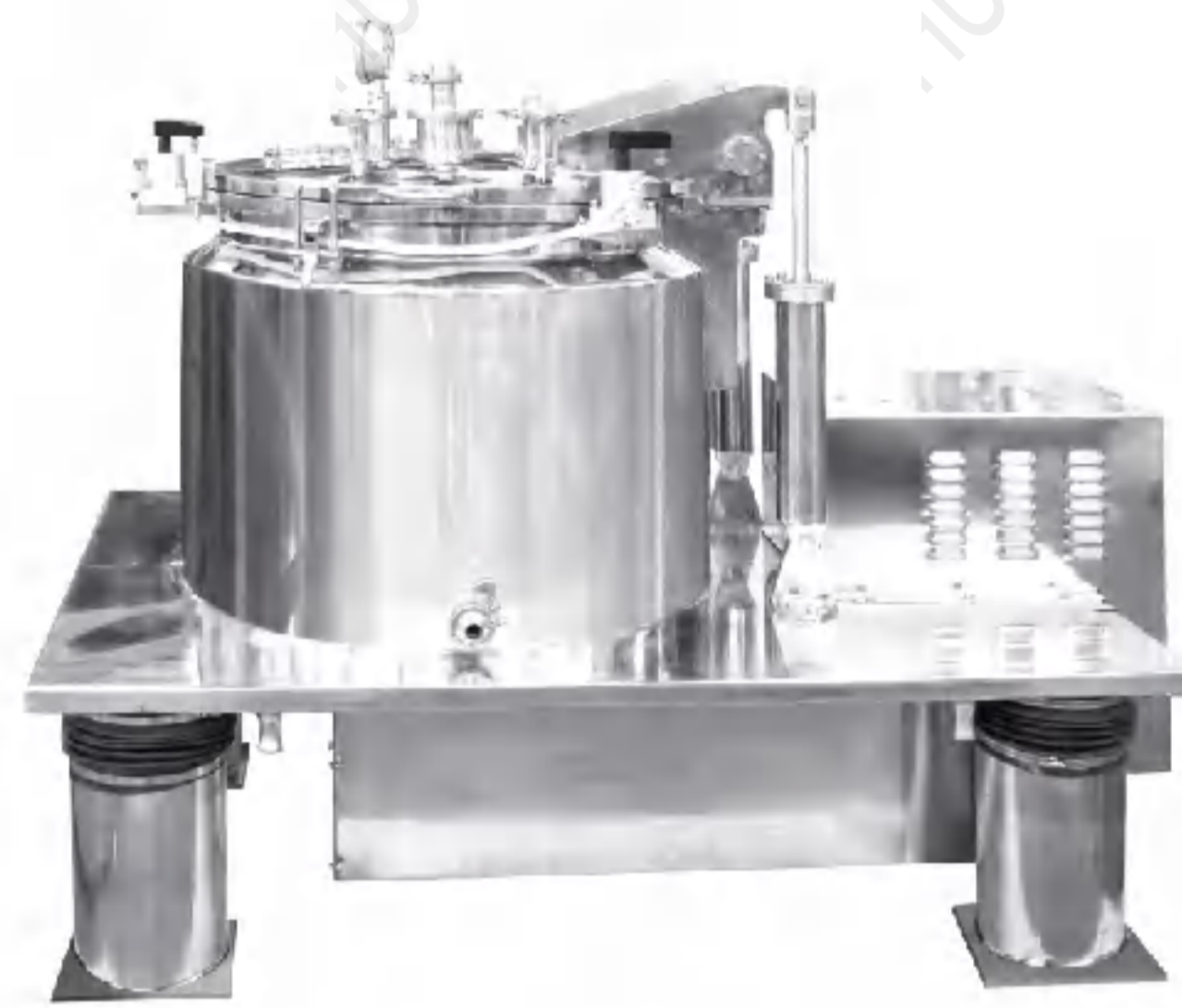


PBZ型平板上卸料离心机

PSB.P系列-低温浸泡过滤离心机

PSB.P SERIES - LOW-TEMPERATURE EXTRACTION CENTRIFUGE

低温浸泡萃取专用离心机，主要用于中草药、植物根茎等浸泡萃取和固液分离，配备封闭式滤袋，可分离固相粒径 $\geq 0.10\text{MM}$ ，广泛应用于食品、医药、化工等领域。



三角带传动型



电机直联型

This product is a special low-temperature extraction centrifuge, which is mainly used for steep extraction and solid-liquid separation of herbs, plant roots, etc. Equipped with an enclosed filter bag, it can separate materials with the solid particle sizes $\geq 0.10\text{MM}$ and has been widely applied in the fields of food, pharmaceutical, chemical, and others.

► 主要特点

MAIN FEATURES

- 设计浸泡温度 -40°C ，可根据客户需求进行设计。
- 转鼓容积可选，过滤面积大，浸泡、分离效果好。
- 配置快开接头，接管更方便。
- 变频控制，能耗制动，可实现无级变速，正、反双向旋转。
- 固相颗粒不易破碎，滤袋更换方便。
- 符合GMP规范，全封闭结构，无卫生死角，有效避免物料污染。
- 多重安全防护配置：压力检测、振动保护、开盖保护、机电联锁等。
- 占地空间小，维护方便，故障低，使用寿命更长。
- 具有防爆设计、满足防爆认证等要求。

► 技术参数

MAIN FEATURES

项目	型号					
	PSB300P	PBZ320P	PBZ400P	PSB420P	PSB550P	PSB600P
有效容积 Effective Volume (L)	18	50	100	100	200	200
转鼓容积 Basket Volume (L)	10	30	50	62	120	140
转鼓直径 Basket Diameter (mm)	300	320	400	420	550	600
转鼓高度 Basket Height (mm)	165	380	450	450	550	500
外壳直径 Shell Diameter (mm)	364	400	500	500	650	700
外壳高度 Shell Height (mm)	215	450	545	555	700	620
最大装料重量 Max. Loading Weigh (kg)	7	7.5	15	15	30	30
转鼓转速 Basket Speed (r/min)	1970	1800	1500	1500	1300	1500
分离因数 Separation Factor	650	580	500	529	520	755
电机功率 Motor Power (kw)	1.5	2.2	4	4	7.5	5.5
传动方式 Transmission Mode	皮带传动 Belt drive	电机直联 Direct motor drive	电机直联 Direct motor drive	皮带传动 Belt drive	皮带传动 Belt drive	皮带传动 Belt drive
外形尺寸 Dimension (LxWxH)mm	950x600x1100	700x700x1200	800x800x1350	1250x800x1100	1200x900x1500	1670x1100x1250

- Soaking temperature designed to be -40°C , customizable as needed by customers.
- Optional basket volumes, large in filtering area and good in soaking & separation effect.
- Configured with a quick-opening connector for easier pipe connection.
- Variable control and energy consumption braking adopted to realize stepless speed regulation and bidirectional (forward and reverse) revolving.
- Solid particles less prone to breakage, easier in replacement of filter bag.
- In compliance with the GMP standards, enclosed structure and zero sanitary dead angle designed to effectively avoid contamination of materials.
- Multiple safety protections: pressure detection, overvibration protection, cover opening protection, electromagnetic interlocking, etc.
- Small floor covering area, easy maintenance, low failure rate and long service life.
- Explosion-proof design, meeting the requirements for certification of explosion protection, etc.

PQFB/PQFD系列-平板密闭全翻盖上卸料离心机

PQFB/PQSD SERIES - VERTICAL FULL FLIP COVER TOP DISCHARGE CENTRIFUGE



PQFB衬食品级HL型

PQFB/PQFD系列离心机是一种适用于洁净区生产、卫生型固液分离设备，其广泛应用于制药、食品、精细化工等行业，具有结构美观、制作工艺高、运行平稳、维护方便等特点，符合GMP规范及高卫生标准要求。

PQFB/PQSD series centrifuges are applicable to the solid-liquid separation in the clean areas with certain requirements for sanitation. Being aesthetic in appearance, high in manufacturing technology, stable in operation, easy in maintenance, and complying with the GMP standards and high requirements for sanitation, this product has been broadly applied in pharmaceutical production, food production and fine chemical engineering and other industries.

► 适用范围 / 应用领域

SCOPE/FIELD OF APPLICATION

PQFB/PQFD型离心机适用于含固相颗粒的悬浮液介质的洗涤和固、液相分离，适宜分离粒径为 $0.02-5\text{mm}$ ，悬浮液的含固量在10%以上，最大为50%。 suspensions containing solid particles, with the particle size of $0.02\text{mm}-5\text{mm}$ and solid content above 10%, 50% to the maximum.

常用于石膏、硫酸铵、芒硝、硫酸铁、硫酸铜、硫酸镍、氯化钾、醋酸、硼砂、苏打、橡胶添加剂、染料、淀粉、制糖、维生素、抗生素、除草剂、驱虫剂、铜、锌、铝、排酸石膏、金属精制、净水污泥、下水污泥及其它各种药品的处理等。

This product is commonly used for the treatment of gypsum, ammonium sulphate, mirabilite, ferric sulphate, copper sulphate, nickel sulphate, potassium chloride, acetic acid, borax, soda, rubber additive, dye, starch, sugar, vitamin, antibiotic, herbicide, insect repellent, copper, zinc, aluminum, acid discharge gypsum, metal refining, sludge after water purification, sludge in sewage, and other kinds of chemicals and pharmaceuticals.



PQFB衬HL型

► 主要结构配置

MAIN CONFIGURATIONS

大盖翻转：手摇式减速机构或液压驱动。

机座：基础平台、不锈钢液态阻尼减振器。

洗涤方式：洗涤管、雾化洗涤管、CIP在线清洗系统。

过滤介质：进口烧结网、滤布等。

翻盖配置：全翻盖+小翻盖、防爆视镜灯、冲淡管、观察镜、进料管。

电气配置：PLC控制、变频控制、电控柜（普通、防爆型）、电机（普通、防爆、变频、节能型）、现场操作箱（普通、防爆型）。

氮气保护系统、氧含量检测系统、液封装置、气封装置等。

客户其他要求。

Large flip cover: hand-controlled reducing mechanism or hydraulic drive.

Base: foundation platform and stainless steel liquid damper.

Washing mode: washing pipe, atomizing & washing pipe, CIP online cleaning system.

Filtering medium: imported sintering screen, filter cloth, etc.

Flip cover configuration: large flip cover + small flip cover, explosion-proof sight glass with lamp, diluting pipe, observation mirror, feeding pipe.

Electric configuration: PLC control, variable-frequency (VF) control, electric control cabinet (ordinary type and explosion-proof type), motor (ordinary type, explosion-proof type, VF type and energy saving type), field operation box (ordinary type and explosion-proof type). Nitrogen protection system, oxygen content detection system, liquid seal, gas seal, etc.

Other requirements of customer.

► 主要特点
MAIN FEATURES

耐腐蚀性好
EXCELLENT CORROSION RESISTANCE
与物料接触部分采用不锈钢、耐腐蚀合金或防腐涂层。
Stainless steel, anti-corrosion alloy or anti-corrosion coating is adopted for the parts requiring contact with materials.

维护方便
EASY MAINTENANCE
全翻盖设计，翻转角度 > 90°，转鼓整体外露，便于内部全方位清洗和滤布更换。
Complete flip cover design allows flip angle of over 90°; overall structure of basket is exposed for easier cleaning of the machine and replacement of the filter cloth.

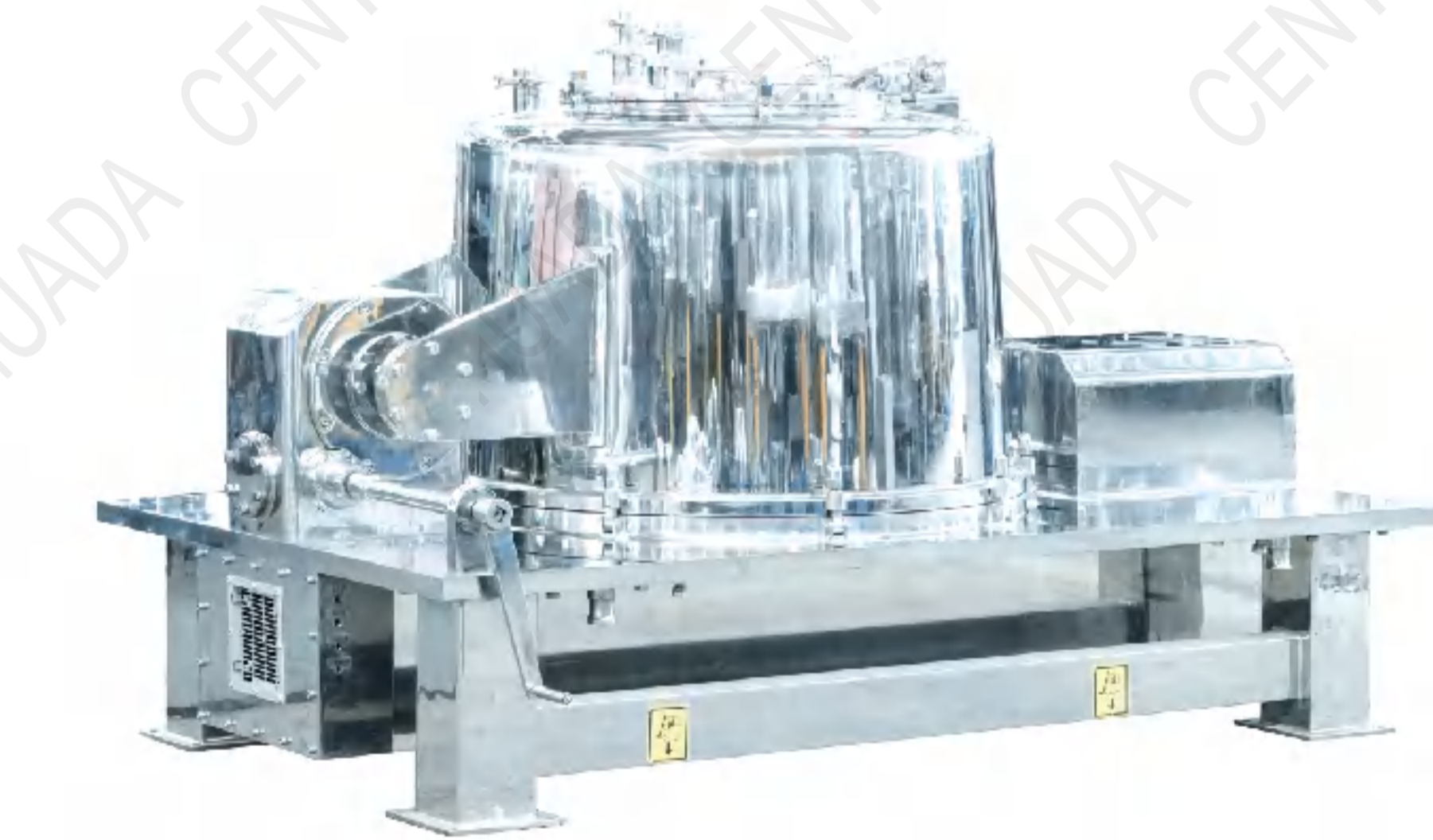
全方位在线清洗、消毒
ALL-DIRECTIONAL ONLINE CLEANING AND DISINFECTION
配置CIP在线清洗系统，可完成内腔全方位清洗、消毒，保证了洁净度要求，符合GMP规范。
CIP online cleaning system is configured to complete all-directional cleaning and disinfection of the inner cavities, meeting the GMP standards and the requirements for cleanliness.



PQFD洁净型吊袋离心机

结构设计先进
采用模块封闭空间结构设计，避免皮带磨损粉尘及外部异物造成污染。
与物料接触部分采用精密抛光处理，内部结构无卫生死角，满足GMP规范。
机器重心低，占地空间小，操作方便。
变频启动，可进行无极调速，运行平稳，故障率低。
内部充氮结构设计，配置氮气保护系统，满足防爆要求，适合于有毒和易燃、易爆场合的应用。

ADVANCED STRUCTURAL DESIGN
Enclosed modular structure is adopted to avoid contamination caused by belt-worn dust and foreign matters.
Precise polishing is adopted for the parts requiring contact with the materials and no sanitary dead angle exists inside the equipment, meeting the GMP standards.
Equipment has low gravity center, small floor covering area and is easy to maintain.
Variable-frequency startup and stepless speed regulation are designed to ensure stable operation and low failure rate.
Internal nitrogen filling structure and nitrogen protection system are configured to meet the requirements for explosion protection in occasions involving toxic, flammable and explosive materials.

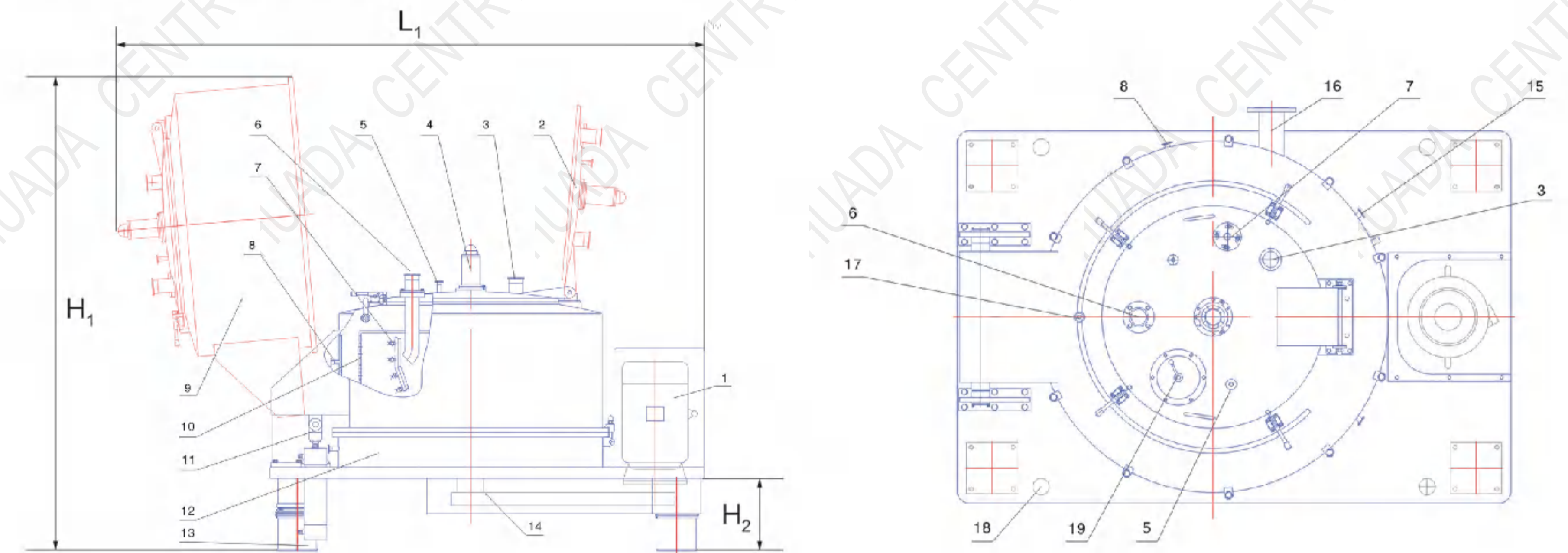


适用范围广，通用性强
WIDE APPLICATION SCOPE
既可用于固相为颗粒状的悬浮液分离，也可用于纤维状物料的分离。
It can be used for the separation of not only suspensions containing solid particles but also fibrous materials.

人工卸料，晶粒不易破碎
MANUAL DISCHARGING FOR BETTER GRAIN PROTECTION
多重安全防护
MULTIPLE SAFETY PROTECTIONS
氮气保护系统、液封装置、气封装置、振动保护、开盖保护、过载保护、机电联锁等。
Nitrogen protection system, liquid seal, gas seal, overvibration protection, cover opening protection, overload protection, electromagnetic interlocking, etc.



► 产品结构图
PRODUCT STRUCTURE



- | | | | | | |
|------------|------------------------|-----------|-----------------------|-----------|--------------------------|
| 1 电机 | Motor | 2 小翻盖 | Small flip cover | 3 排气管 | Exhaust pipe |
| 4 防爆照明灯 | Explosion-proof lamp | 5 氮气管 | Nitrogen supply pipe | 6 进料管 | Feeding pipe |
| 7 洗涤管 | Washing pipe | 8 侧向清洗接管 | Side washing adapter | 9 全翻盖 | Large flip cover |
| 10 转鼓 | Basket | 11 翻盖机构 | Flip mechanism | 12 机座 | Base |
| 13 液压阻尼减振器 | Hydraulic-drive damper | 14 传动 | Transmission device | 15 下在线喷淋管 | Bottom online spray pipe |
| 16 出液管 | Liquid discharge pipe | 17 上在线喷淋管 | Top online spray pipe | 18 吊装点 | Lifting point |
| 19 观察镜 | Observation mirror | | | | |

► PQFB/PQFD系列离心机外形尺寸
PRODUCT DIMENSION

项目 Items	型号 Models						
	PQFB600	PQFB800	PQFB1000	PQFB1250	PQFD800	PQFD1000	PQFD1250
长 x 宽 x 高 (LxWxH) (mm)	1880x1100x1100	2200x1250x1310	2460x1400x1400	2770x1800x1470	2200x1250x1310	2370x1400x1490	2770x1800x1510
H ₁	1700	2020	2220	2770	2020	2430	2770
H ₂	280	330	380	370	330	380	370
L ₁	2340	2800	3150	3600	2800	3200	3600

► PQFB/PQFD系列离心机技术参数
TECHNICAL PARAMETERS

项目 Items	型号 Models						
	PQFB600	PQFB800	PQFB1000	PQFB1250	PQFD800	PQFD1000	PQFD1250
转鼓直径 Basket Diameter (mm)	600	800	1000	1250	800	1000	1250
转鼓有效高度 Basket Volume (mm)	325	400	425	485	400	425	450
转鼓容积 Basket Volume (L)	47	100	145	320	100	145	300
最大装载量 Max. Loading Weight (kg)	70	140	200	400	140	200	375
最高转速 Max. Speed(r/min)	1600	1200/1500	1100/1200	1000/1200	1200/1500	1100/1200	1000/1200
最大分离因数 Max. Separation Factor	860	645/1007	680/805	700/1007	645/1007	680/805	700/1007
电机功率 Motor Power (kW)	4	7.5	11	18.5/22	7.5	11	18.5/22
机器重量 Weight (kg)	1200	2000	2600	4300	2300	3000	5000