

# GK GKF GKH系列 卧式刮刀卸料离心机

GK GKF GKH Series Peeler Centrifuges



GK卧式刮刀卸料离心机



斜槽出料型



螺旋出料型

GKH虹吸式卧式刮刀卸料离心机



常规型

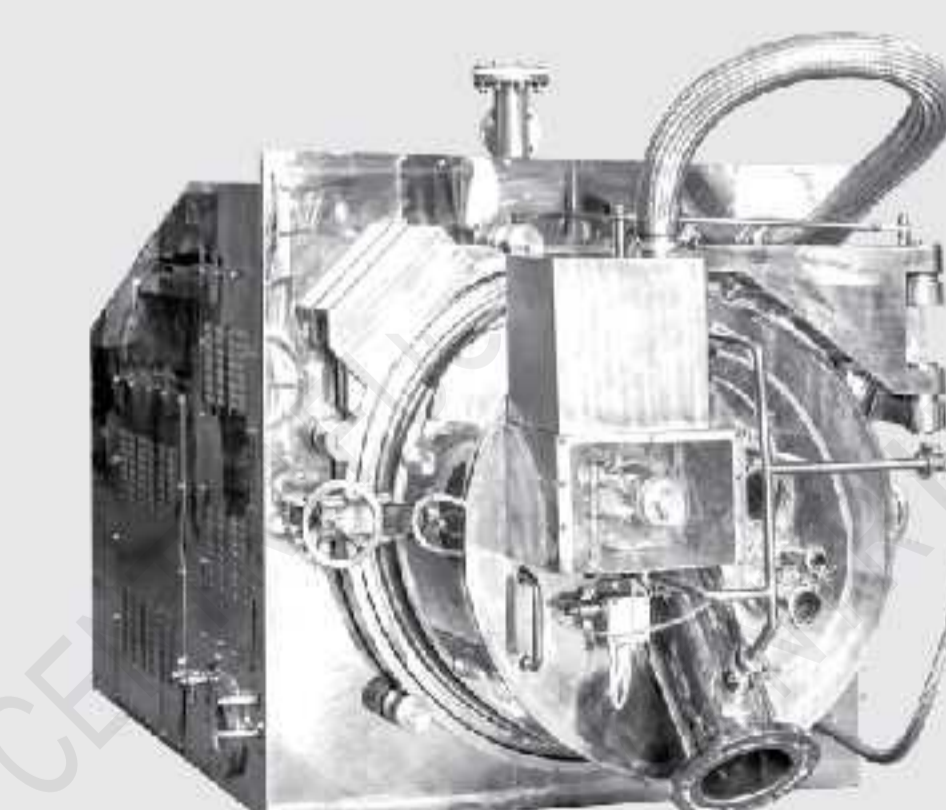


全液压型

GKF洁净型卧式刮刀卸料离心机



钢平台型



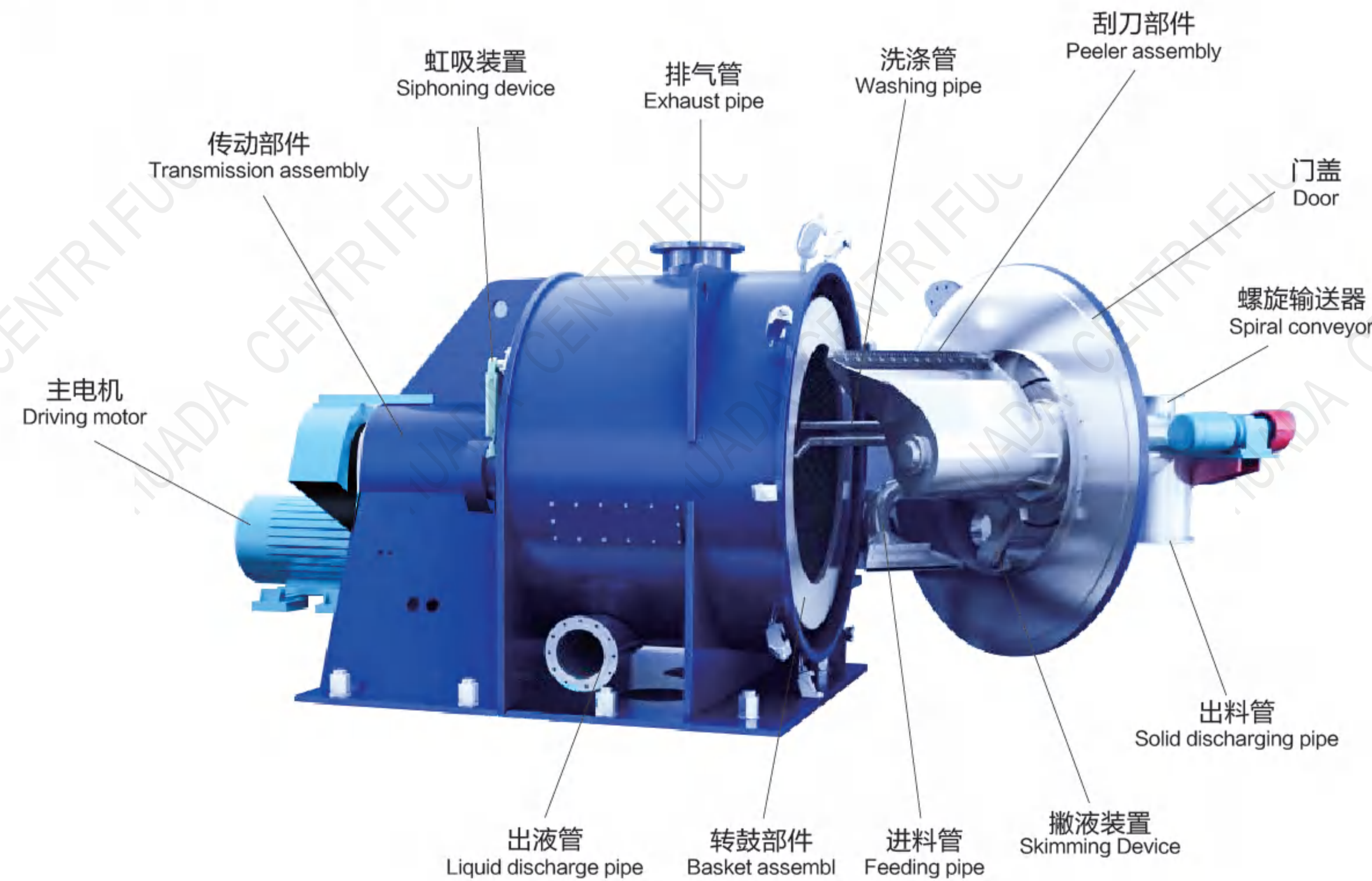
浮动平台



外形尺寸 DIMENSION

项目 Items		GKH800	GKH1000	GKH1250	GKH1600	GKH1800
斜槽、浮动平台 Chute and Floating Platform	主机外形 Machine	2550x1750x1300	2850x2100x1550	3550x2200x1900		
	安装外形 Installation	3400x2500x1900	4100x2600x2200	4600x3200x2600		
斜槽、钢平台 Chute and Steel Platform	主机外形 Machine	2200x2100x1700	2600x2400x2100	4300x2100x2600		
	安装外形 Installation	2800x2100x1700	3400x2600x2100	5300x2700x2600		
浮动平台外形 Floating Platform		2300x2600x400	2700x2400x450	3100x2600x500	4040x3400x700	4700x3600x800
螺旋卸料、浮动平台 Spiral Discharge and Floating Platform	主机外形 Machine		3600x2100x1550	3900x2200x1900	5200x2750x2300	5850x2880x2700
	安装外形 Installation		4400x3600x2200	4800x4000x2600	6300x5000x3500	6900x5600x4000
螺旋卸料、钢平台 Spiral Discharge and Steel Platform	主机外形 Machine		2900x2400x2100	4600x2100x2600	5300x3100x3100	
	安装外形 Installation		3400x2900x2100	5500x2800x2600	6300x4800x3100	

GKH离心机结构图 STRUCTURE OF GKH CENTRIFUGE



技术参数 TECHNICAL PARAMETERS

项目 Items	型号 Models					
	GKH800	GKH1000	GKH1250	GKH1600	GKH1800	
转鼓直径 Basket Diameter (mm)	800	1000	1250	1600	1800	
转鼓长度 Basket Length (mm)	450	500	600	1000	1250	
过滤面积 Filtering Area	1.13	1.57	2.36	5	7	
转鼓容积 Basket Volume (L)	100	165	355	830	1325	
最大装料重量 Max. Loading Weight (kg)	135	225	450	1000	1780	
转鼓转速 Basket Speed (r/min)	1550	1400	1200	950	800	
分离因数 Separation Factor	1078	1098	1008	808	645	
主电机功率 Power of Driving Motor (kW)	45	55	90	132	200	
机器重量 Weight (kg)	斜槽主机重量 Chute Weight	4500	6500	10000		
	斜槽、钢平台 Chute and Steel Platform	7000	11000	20000		
	浮动平台重量 Weight of Floating Platform	5000	6500	9000	21000	33000
	螺旋卸料主机重量 Spiral Discharge Weight		6800	10500	16000	25000
	螺旋卸料、钢平台 Spiral Discharge and Steel Platform		11300	22000	33000	

GKF洁净型-卧式刮刀卸料离心机 GKF PHARMA PEELER CENTRIFUGE



GKF洁净型卧式刮刀全自动卸料离心机，其独特的结构设计和系统配置，能够以合理的消耗分离出符合GMP(FDA、COS、TGA)标准的医药产品或中间体，同时在运行过程中不会产生新的杂质及污染。

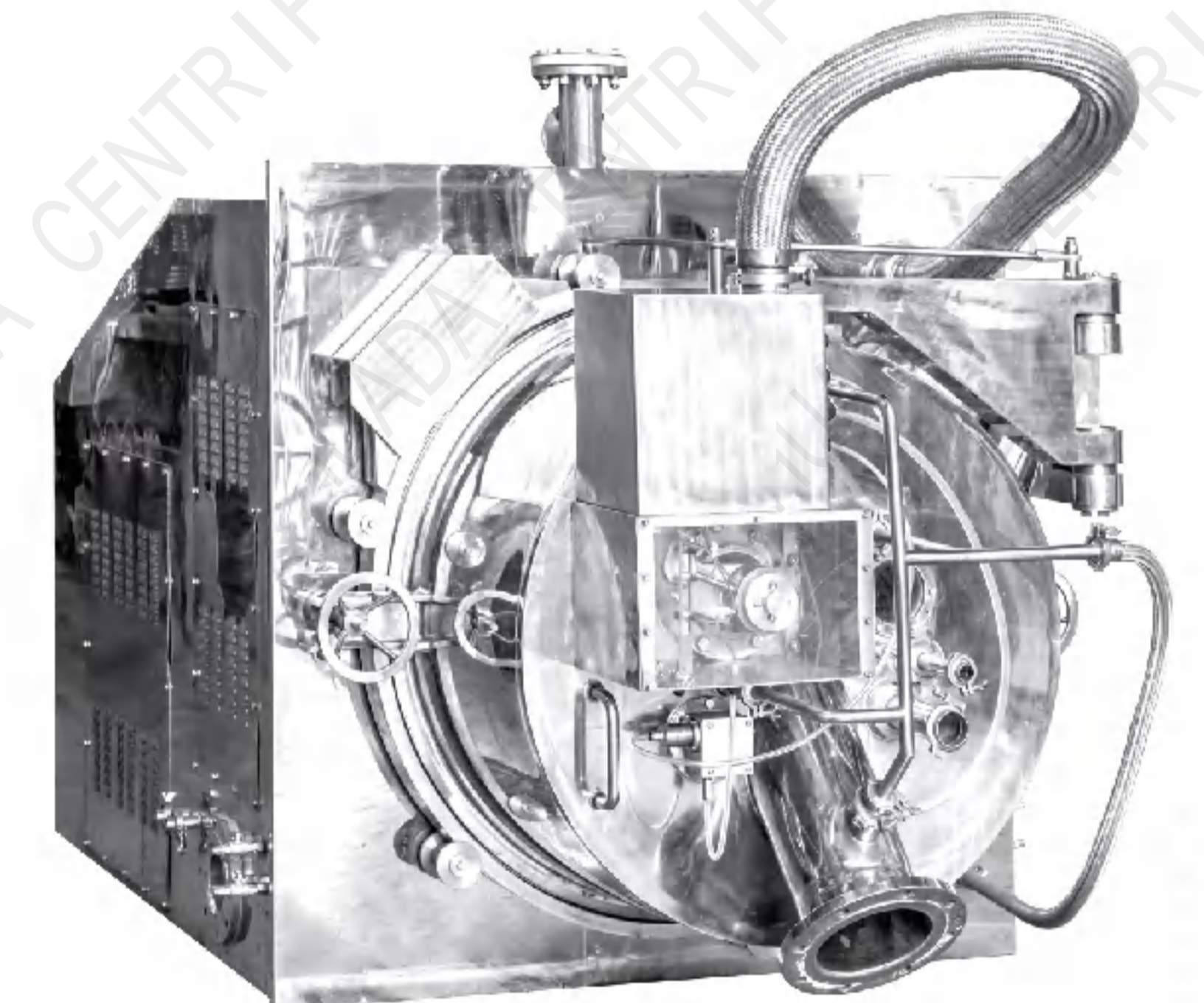
With special structural design and system configuration, GKF pharma peeler centrifuge can be used to obtain pharmaceutical products or intermediate products that meet the GMP (FDA, COS, TGA) standards with reasonable consumption, without generating new impurities and pollutants during the operation.

GKF离心机系列是集多项专利于一身的新型离心机  
GKF centrifuge series are new types of products integrated with multiple patents



适用范围：  
颗粒径：0.05~1mm  
含固量10%~50%  
滤饼密度为1~1.5

Scope of application:  
particle diameter: 0.05mm-1mm  
Solid content: 10%~50%  
Cake density: 1~1.5



产品具有全自动控制、批量处理、连续运转、循环周期短，处理量大、含湿量低、洗涤效果好等特点。适用于粘度小、卫生要求高、有毒、有害、易燃易爆介质的固液分离。已广泛应用于制药、食品等领域。

Characterized by automatic control, batch processing, continuous working, short circulating period, large handling capacity, low moisture and good washing effect, the product is applicable to the solid-liquid separation of toxic, hazardous, inflammable and explosive media of low viscosity and with high requirements for sanitation. It has been widely applied in the pharmaceutical production, food production and other fields.



► 主要产品特点  
MAIN FEATURES

- 气体反吹装置：辅助刮刀卸料，有效去除残余滤饼。
- 与物料接触部分采用优质不锈钢或合金材料，表面镜面抛光，符合耐腐蚀和洁净要求。
- 在线清洗系统：在离心机内表面、转鼓底、卸料斗、门盖等部位设置多个喷淋清洗球和定向喷嘴，可在线对离心机内腔全方位冲洗。
- 可实现SIP在线消毒、CIP在线清洗和浸泡式清洗，有效避免物料交叉式污染，满足GMP规范和高卫生要求。
- Gas back-blowing device: assist the peeler to discharge materials and remove the residual cakes effectively.
- High-quality stainless steel or alloy is adopted for the part contacting materials, and surfaces are polished, meeting the requirements for corrosion protection and cleanliness.
- Online cleaning system: Multiple spraying balls and directional nozzles are arranged on the inner surface, basket bottom, discharging bucket, door and other parts of the centrifuge to realize comprehensive flushing of the equipment online.
- Online SIP disinfection, CIP cleaning and soaking & cleaning are available to effectively avoid cross contamination of materials and meet the GMP standards and high requirements for sanitation.



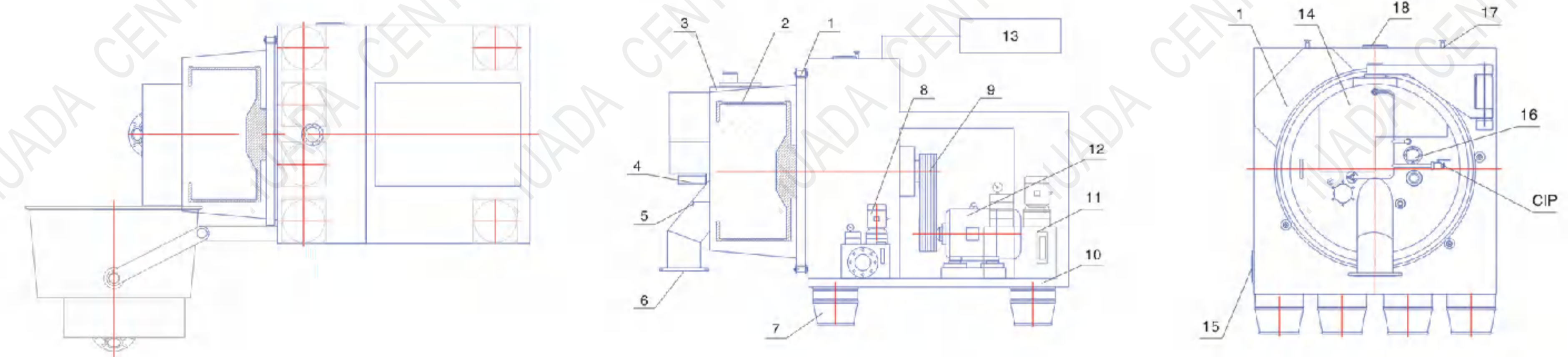
- 变频控制，能耗或能量回馈制动，可按要求设定各工序转速，转速无级可调，大幅节省电力消耗。
- 执行元件采用电气-液压自动控制，进料、过滤、洗涤、脱液甩干、卸料、残余滤饼去除，在线清洗等实现全过程监控。
- 多重安全保护系统：转速监控、过振动保护、开盖保护、电机过热过载保护，门盖锁紧电-液连锁保护、刮刀限位保护、主轴温升保护、润滑断油保护等装置保障离心机安全运行。

- Variable-frequency control, energy consumption or energy feedback braking, speeds in different processes set as needed, stepless speed regulation are designed to reduce power consumption significantly.
- Automatic electric-hydraulic control is adopted for the actuating components, and feeding, filtration, washing, dehydration, discharging, residual cake removing, online cleaning and other processes are monitored in the whole process.
- System of multiple safety protection devices: devices for speed monitoring, overvibration protection, door opening protection, motor overtemperature and overload protection, electric-hydraulic interlocking protection for door locking, peeler position limitation, spindle temperature rise protection, lubrication interruption protection, etc. are configured to ensure safe operation of the centrifuge.

- 双重主轴密封结构设计，有效防止滑油泄露及污染。
- 隔墙式设计，动力区与生产区通过机座面板与墙体柔性连接，完全隔离，有效防止生产区污染。
- 自动监测氮气保护系统，确保离心机始终在惰性气体的正压下工作，配置在线氧量检测系统，可实现防爆要求。
- Dual-sealing structure is designed for the spindle to effectively prevent oil leak and contamination.
- Diaphragm-type structure is designed. The power area and production area are flexibly connected through the base panel and wall, which are completely separated, so as to effectively prevent contamination in the production area.
- An automatic nitrogen monitoring system is configured to ensure the centrifuge always works under positive pressure of the inert gases, and an online oxygen content detection system is configured to meet the requirements for explosion protection.



► GKF离心机结构图  
STRUCTURE OF GKF CENTRIFUGE



- |           |                            |         |                    |        |                          |
|-----------|----------------------------|---------|--------------------|--------|--------------------------|
| 1 锁紧装置    | Locking device             | 2 转鼓    | Basket             | 3 外壳翻盖 | Flippable cover of shell |
| 4 进料管     | Feeding pipe               | 5 洗涤管   | Washing pipe       | 6 出料管  | Discharging pipe         |
| 7 减振器     | Vibration absorber         | 8 润滑系统  | Lubricating system | 9 传动部件 | Transmission assembly    |
| 10 机座     | Base                       | 11 液压站  | Hydraulic station  | 12 主电机 | Driving motor            |
| 13 氮气保护系统 | Nitrogen protection system | 14 刮刀部件 | Peeler assembly    | 15 出液管 | Liquid discharge pipe    |
| 16 料层控制器  | Cake layer controller      | 17 气体反吹 | Gas back-blowing   | 18 排气管 | Exhaust pipe             |

► 技术参数  
TECHNICAL PARAMETERS

项目 Items	型号 Models								
	GKF600	GKF800	GKF1000	GKF1050	GKF1250	GKF1350	GKF1600	GKF1800	
转鼓直径 Basket Diameter (mm)	600	800	1000	1050	1250	1350	1600	1800	
转鼓长度 Basket Length (mm)	325	400	500	500	600	680	800	1000	
过滤面积 Filtering Area	0.61	1	1.57	1.65	2.36	2.88	4	5.65	
转鼓容积 Basket Volume (L)	45	88	165	205	355	465	700	1100	
最大装料限重 Max. Loading Weight (kg)	60	120	225	275	450	600	930	1500	
转鼓转速 Basket Speed (r/min)	2400	1600	1400	1350	1200	1200	950	800	
分离因数 Separation Factor	1930	1154	1098	1070	1008	1088	808	645	
主电机功率 Power of Driving Motor (kW)	22	30	37	37	55/75	55/75	90	132	
外形尺寸 Dimension (LxWxH)(mm)	主机外形 Machine	2400x1390x1700	2850x1600x1950	3250x1800x2200	3420x2000x2400	3950x2150x2600	4350x2150x2700	5100x2500x3100	5800x2800x3600
	安装外形 Installation	3100x1900x1700	3600x2400x1950	4100x2900x2200	4300x3000x2400	5000x3300x2600	5200x3600x2700	6400x4400x3100	7500x4800x3600
机器重量 Weight (kg)	3500	5500	9000	10000	16000	18000	25000	36000	