

全自动立式刮刀卸料离心机

Automatic Vertical Bottom Discharge
Scraper Centrifuges



PLD拉袋式刮刀下卸料离心机 (方箱型)



PLD拉袋式刮刀下卸料离心机 (衬HL型)



PLD拉袋式刮刀下卸料离心机 (保温型)



PQLD洁净型拉袋式刮刀下卸料离心机



LGZ刮刀下卸料离心机 (衬HL型)



LGZ刮刀下卸料离心机 (衬PE型)



PGZ刮刀下卸料离心机 (方箱型)



PGZ刮刀下卸料离心机 (平板型)



PAUT上悬式刮刀下卸料离心机

LGZ/PGZ系列-立式刮刀全自动下卸料离心机

LGZ/PGZ INSULATION SERIES - VERTICAL BOTTOM DISCHARGE SCRAPER CENTRIFUGES



LGZ衬HL型



LGZ在线清洗型

LGZ系列离心机是一种结构设计科学、技术含量高、处理量大、操作维护方便的全自动型离心机。

LGZ series centrifuge is a kind of fully automatic and highly technical centrifuge with scientific structure design, large handling capacity and simple operation and maintenance.



LGZ衬PE型

适用于颗粒径在10 μm~数毫米，含固量5%~40%的纤维状、悬浮液、粘度高、粒度细、有毒、易燃易爆物料的固液分离，具有无菌卫生、密闭防爆、多重安全保护等特点，可在高原工况运行，已广泛应用于制药、精细化工、新能源、食品等行业。

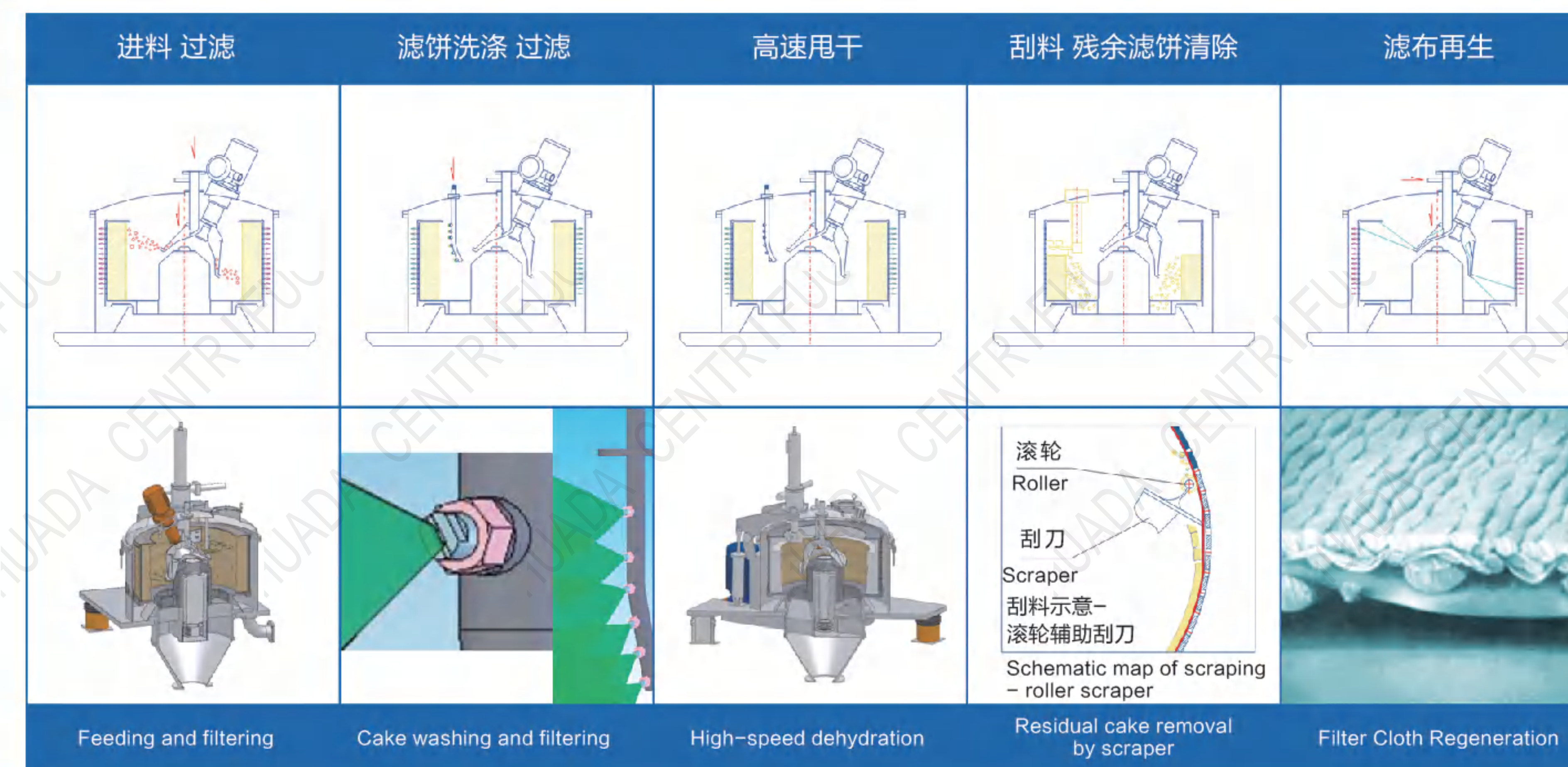
It is suitable for solid-liquid separation of fibrous material with solid-containing content of 5%~40%, suspension, materials with high viscosity and fine particle size of 10 μm~a few millimeters, and toxic, flammable and explosive materials. It is featured by aseptic sanitation, airtight explosion-proof performance and multiple safety protection, and can operate in plateau working condition. Moreover, it has been widely used in pharmaceutical, fine chemical, new energy, food and other industries.

主要用途

MAIN ADVANTAGES

主要用于含有固相颗粒的悬浮液的固液分离，也可以用于纤维状物料的固液分离。特别是对粘度高、粒度细、有毒、易燃易爆物料的分。如抗生素、维生素、医药中间体等医药产品，食盐、味精、食品添加剂、淀粉、制糖、化学调味剂等食品，硫酸、石膏、芒硝、硫酸铜、氯化钾、硼砂、染料、颜料、树脂、农药药剂等化工原料，以及矿山环保等行业中的固液分离工作。离心机自动化程度高，处理量大，可实现远程控制。

It is mainly used for solid-liquid separation of the suspension with various kinds of solid particles and fibrous materials, especially toxic, flammable and explosive materials and those materials with high viscosity and fine particle size. For example, medical products such as antibiotics, vitamins and medical intermediates, food such as salt, monosodium glutamate, food additives, starch, sugar and chemical seasoning, chemical materials, such as ammonium sulphate, gypsum, mirabilite, copper sulphate, potassium chloride, borax, dye, pigment, resin and pesticide, and materials related to mining, metallurgy and environmental protection industries, etc. The centrifuge can achieve remote control, with high automation and large handling capacity.



主要优点

MAIN ADVANTAGES

- 科学结构设计，机器重心低，运行平稳；无基础安装，便于机器安装维护。
- 液阻尼减振系统，吸振效果好，隔振和减振性能更优越。
- CIP在线清洗系统，可进行机器内部全方位清洗、消毒，避免产品的交叉污染。
- 全密闭结构，防止物料被污染，可进行机器内腔、轴承座、刮刀腔、布料腔充氮保护。
- 采用斜盘布料+料控装置进料系统，布料均匀、可控，可实现全自动控制。
- 气体反冲及滚轮刮刀装置，有效降低滤饼残留，以便滤布再生。
- DCS控制接口，自动化人机界面控制，可实现远程智能控制。
- 独立式传动部件，便于拆装及维护，主轴与转鼓之间采用迷宫与油封双重密封，使主轴与腐蚀气体完全隔离。

- It has scientific structure design, low center of gravity, smooth operation, and no foundation installation, convenient for installation and maintenance of the machine.
- The liquid damping shock absorber system is adopted, with good vibration absorption and better vibration isolation and vibration attenuation.
- The CIP online cleaning system is configured to conduct thorough cleaning and disinfection inside the machine to prevent cross contamination.
- The fully-enclosed structure prevents the material from being contaminated, and achieves the nitrogen filling protection of the machine chamber, bearing seat, scraper chamber and distribution chamber.
- The feeding system with inclined feeding and cake layer control device is adopted to control the distribution and make it uniform, and realize automatic control.
- Gas recoiler and roller scraper device can effectively remove cake residue for cloth regeneration.
- DCS control interface and automatic man-machine interface control can realize intelligent remote control.
- Independent transmission assembly is convenient for assembly/disassembly, and a double seal of labyrinth and oil seal is applied between spindle and basket to make spindle completely isolated from corrosive gas.

PGZ系列-立式刮刀全自动下卸料离心机

PGZ SERIES - AUTOMATIC VERTICAL BOTTOM DISCHARGE SCRAPER CENTRIFUGES

PGZ系列产品保留LGZ型产品优点的同时，采用固定翻盖设计，特别适用于有毒、易挥发、易燃易爆等物料的分

PGZ series of products, with the advantages of LGZ products, is designed with fixed cover, suitable for the separation of toxic, volatile, inflammable and explosive materials.



PGZ衬HL型



PGZ方箱型

工作原理 WORKING PRINCIPLE

刮刀下部卸料离心机为立式全自动过滤离心机。电机通过皮带驱动转鼓高速旋转，待分离的物料在预先编制的程序控制下，通过进料系统进入高速旋转的离心机转鼓内。在离心力场的作用下，物料通过过滤介质(滤布/滤网)的过滤，液相经出液管排出机外，固相则被截留在转鼓内。物料检测装置实时检测物料充填位置，当转鼓内滤饼达到机器规定的装料量时，停止进料。然后对滤饼进行洗涤、甩干。滤饼达到脱液要求后，离心机降低到刮料速度，刮刀装置在液(气)动控制下将滤饼刮下，并经离心机下部的出料口排出。

The bottom discharge scraper centrifuge is the automatic vertical filtering centrifuge. The motor drives the basket to rotate at a high speed through the belt, and the materials to be separated enter into the centrifuge basket at a high speed through the feeding system under the control of the pre-programmed program. Under the action of the centrifugal field, the material will be filtered through the filter media (filter cloth/screen), the liquid phase will be discharged through the liquid outlet, and the solid phase will be retained in the basket. The material detection device will detect the filling level of the material in real time. When the basket cake reaches the loading capacity specified by the machine, it stops feeding. The filter cake is then washed and dried. After the cake meets the dehydration requirements, the centrifuge reduces to the scraping speed, and the scraper removes the cake under the hydraulic (pneumatic) drive, and then the cake is discharged through the solid discharge port of the centrifuge at the lower part.

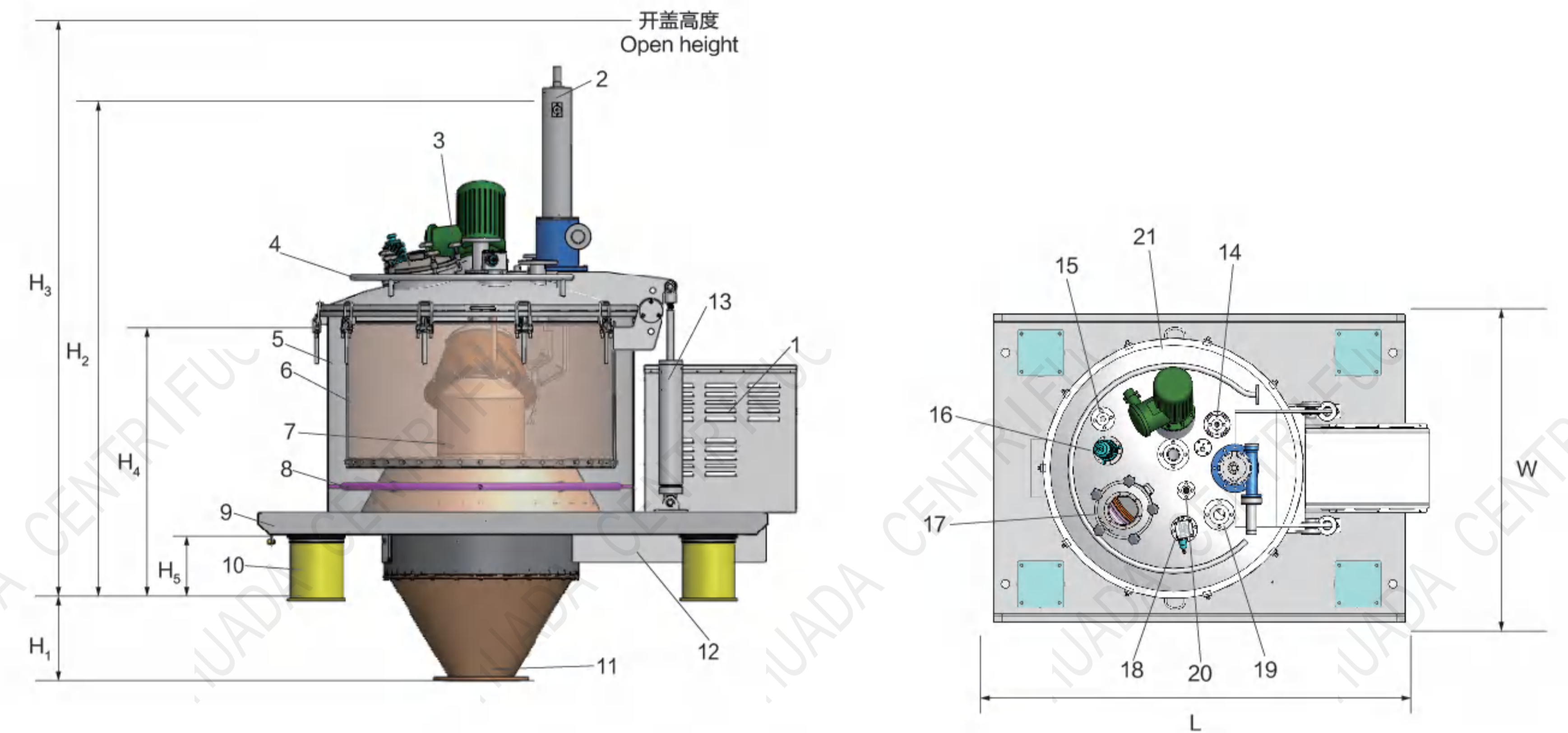


PGZ1800型

LGZ/PGZ离心机主要技术参数

TECHNICAL PARAMETERS OF LGZ&PGZ CENTRIFUGES

型号 Models	代号 Code						
	L	W	H1	H2	H3	H4	H5
LGZ/PGZ800	1900	1250	170	1900	2060	955	250
LGZ/PGZ1000	2200	1530	275	2200	2500	1185	320
LGZ/PGZ1250	2550	1800	275	2550/2900	2950/3150	1370/1540	370
LGZ/PGZ1500	3000	2100	390	2800	3340	1575	400
LGZ/PGZ1600	3200	2400	400	2850/3100	3700/3900	1750/1830	425
LGZ/PGZ1800	3500	2500	500	3400	4400	2100	425



- | | | | | | |
|---------------------------------|------------------------------------|--|------------------------------------|--------------------------------|--|
| 1 电机部件
Motor parts | 2 刮刀部件
Scraper parts | 3 斜盘布料装置
Inclined feeding distributor | 4 CIP上在线清洗
CIP Upper cleaning | 5 机壳
Shell | 6 转鼓部件
Basket assembly |
| 7 传动部件
Transmission assembly | 8 CIP下在线清洗
CIP Bottom cleaning | 9 机座部件
Base parts | 10 阻尼减震器
Damping shock absorber | 11 卸料斗
Discharge hopper | 12 皮带罩
Belt cover |
| 13 平衡缸
Balance cylinder | 14 雾化洗涤管
Atomizing washing pipe | 15 排空口
Vent port | 16 防爆照明灯
Explosion-proof lamp | 17 人孔视镜
Manhole sight glass | 18 料位检测装置
Cake layer detection device |
| 19 排气管
Vent pipe | 20 充氮管
Nitrogen pipe | 21 翻盖部件
Cover assembly | | | |

LGZ/PGZ离心机主要技术参数

TECHNICAL PARAMETERS OF LGZ/PGZ CENTRIFUGES

项目 Items	型号 Models					
	LGZ/PGZ800	LGZ/PGZ1000	LGZ/PGZ1250	LGZ/PGZ1400	LGZ/PGZ1600	LGZ/PGZ1800
转鼓直径 (mm) Basket Diameter	800	1000	1250	1400	1600	1800
转鼓有效高度 (mm) Effective Basket Height	420	550	630/800	750	800/1000	1000
转鼓容积 (L) Basket Volume	100	190	400/500	600	800/1000	1250
最大装料量 (kg) Loading Capacity	135	230	500/600	700	1000/1250	1500
电机功率 (kw) Motor Power	7.5/11	15	22/30	30/37	37/45	55
最高转速 (r/min) Max. Speed	1200/1500	1100/1200	1000/1200	950/1150	850	800
最大分离因素 Max. Separation Factor	645/1007	678/805	700/1007	700/1036	647	645
机器重量 (kg) Machine weight	平板结构 Platform construction	3500	5000	9000	12000	17000
	方箱结构 Square box structure	2000	4000		6000	