

# 全自动立式刮刀卸料离心机

Automatic Vertical Bottom Discharge  
Scraper Centrifuges



PLD拉袋式刮刀下卸料离心机 (方箱型)



PLD拉袋式刮刀下卸料离心机 (衬HL型)



PLD拉袋式刮刀下卸料离心机 (保温型)



PQLD洁净型拉袋式刮刀下卸料离心机



LGZ刮刀下卸料离心机 (衬HL型)



LGZ刮刀下卸料离心机 (衬PE型)



PGZ刮刀下卸料离心机 (方箱型)



PGZ刮刀下卸料离心机 (平板型)



PAUT上悬式刮刀下卸料离心机

**PAUT上悬式刮刀卸料自动离心机**  
PAUT TOP-SUSPENDED BOTTOM DISCHARGE SCRAPER CENTRIFUGES



**主要用途**  
MAIN PURPOSE

PAUT系列离心机适用于含固相颗粒的悬浮液介质的洗涤和固、液相分离，也适用于含结晶状固相的介质的固液相分离，用途及其广泛。常用于石膏、硫酸铵、芒硝、硫酸铁、硫酸铜、硫酸镍、氯化钾、醋酸、硼砂、苏打、橡胶添加剂、染料、淀粉、制糖、维生素、抗生素、除草剂、驱虫剂、铜、锌、铝、排酸石膏、金属精制、净水污泥、下水污泥及其它各种药品的处理等

PAUT series of centrifuges are applicable to washing and solid-liquid separation of suspension media containing solid particles, as well as solid-liquid separation of media containing a crystalline solid phase, which can be widely used. This product is commonly used for the treatment of gypsum, ammonium sulphate, mirabilite, ferric sulphate, copper sulphate, nickel sulphate, potassium chloride, acetic acid, borax, soda, rubber additive, dye, starch, sugar, vitamin, antibiotic, herbicide, insect repellent, copper, zinc, aluminum, acid discharge gypsum, metal refining, sludge after water purification, sludge in sewage, and other kinds of chemicals and pharmaceuticals.

**产品优缺点**  
PRODUCT FEATURES

**结构简单、运行平稳、操作及减震性能好**

- 上悬式动力直联结构，传动和转鼓回转中心与机器中心重合，运行平稳。
- 方箱型机座+液态阻尼减振器，重心低，减振效果卓越。
- 独立式轴承座，轴承支承跨距大，转鼓重心低，承载能力大，操作性能好。
- 机体全承载结构：刚性好、结构简洁、外形美观。

**IT IS DESIGNED WITH A SIMPLE STRUCTURE, STABLE AND SIMPLE OPERATION AND EXCELLENT DAMPING PERFORMANCE**

- The top-suspended dynamical straight connected structure is adopted, in which, the transmission and the gyration center of the basket are aligned with the machine center, with stable operation.
- It is provided with a square box base + liquid damping shock absorber system, with a low center of gravity and excellent vibration attenuation.
- An independent bearing seat is adopted, with large bearing span, low center of gravity, large bearing capacity and great operation performance.
- The body is designed with a full load-bearing structure, with high rigidity, simple structure and good appearance.

**效率高、处理量大**

- 大长径比，装料容积大。
- 物料适用范围广。

**HIGH EFFICIENCY AND LARGE HANDLING CAPACITY**

- Large length-to-diameter ratio and large loading volume.
- Wide application of materials.

**自动控制+多重安全保护 设备运行更可靠**

- 全自动程序控制，运行可靠，安全性高。
- 采用变频调速传动，起动平稳，有效防护电机过载。
- 多重安全防护+无极分层刮料控制。

**AUTOMATIC CONTROL + MULTIPLE SAFETY PROTECTION EQUIPMENT OPERATION, WITH HIGH RELIABILITY**

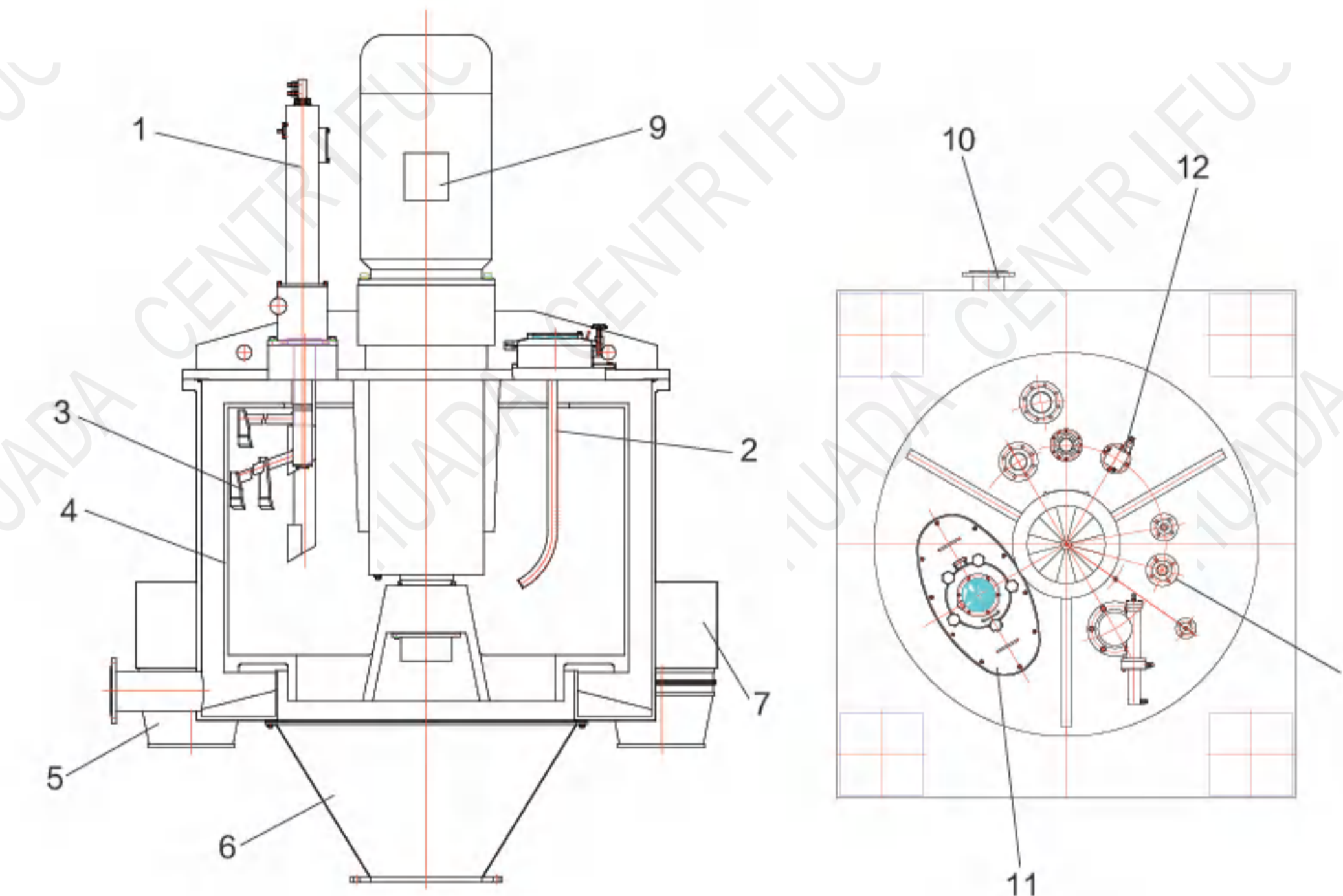
- Automatic program control, reliable operation, and high safety.
- The frequency conversion speed regulation drive is adopted, with stable start, and effective overload protection of the motor.
- Multiple safety protection + non-polar layered scraping control.

**防爆、防腐、防污染**

- 全封闭结构，电机与主轴直联，无皮带传动，无磨擦粉尘对环境的污染。
- 可配置氮气保护装置，实现防爆场合的应用。
- 可选用防腐蚀合金材料及涂层处理。

**EXPLOSION-PROOF, ANTI-CORROSION AND ANTI-POLLUTION**

- It has a fully enclosed structure, and the motor and spindle are directly connected, without belt transmission or environmental pollution due to friction dust.
- Nitrogen protection device can be configured for explosion-proof applications.
- Anti-corrosion alloy material and coating treatment can be adopted.



- 1 刮刀驱动装置  
Scraper drive device
- 2 洗涤管  
Washing pipe
- 3 刮刀  
Scraper
- 4 转鼓  
BASKET
- 5 减振器  
Shock absorber
- 6 出料口  
Solid discharge port
- 7 机座  
Base
- 8 进料管  
Feeding pipe
- 9 电动机  
Motor
- 10 出液管  
Liquid discharge pipe
- 11 检视盖板  
Inspection cover
- 12 料层控制器  
Cake layer controller

**技术参数**  
TECHNICAL PARAMETERS

项目 Items	型号 Models		
	PAUT1250	PAUT1320	PAUT1600
转鼓直径 Basket Diameter (mm)	1250	1320	1600
转鼓有效高度 Effective basket height (mm)	800	800	1000
转鼓容积 Basket Volume (L)	450	490	1000
最大装载量 Loading capacity (kg)	560	620	1250
电机功率 Motor power (kw)	30	30	45
最高转速 Max. speed (r/min)	970	900	850
最大分离因素 Max. Separation Factor	658	600	647
外形尺寸 Dimension (mm)	2100x2000x2600	2100x2000x2600	2700x2350x2900
机器重量 Weight (kg)	5000	5500	10000